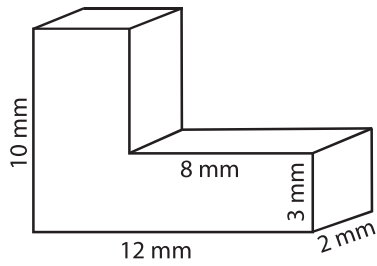


Answer Key

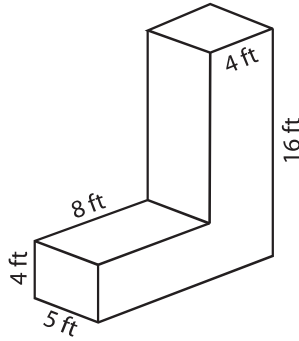
Find the volume of each L-block.

1)



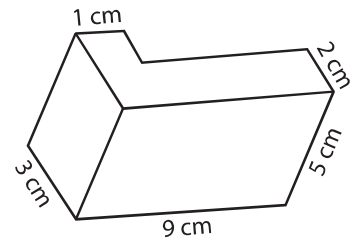
Volume = 128 mm³

2)



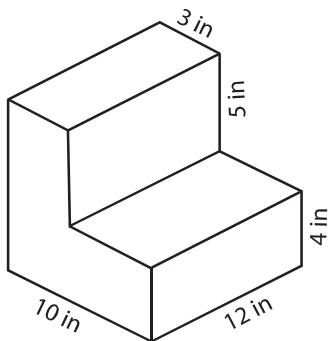
Volume = 480 ft³

3)



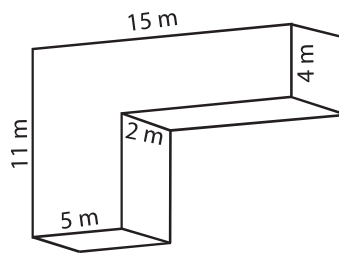
Volume = 95 cm³

4)



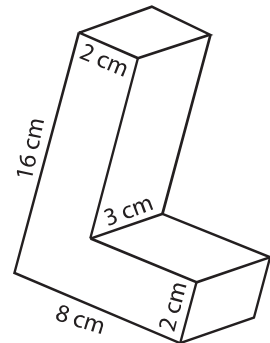
Volume = 660 in³

5)



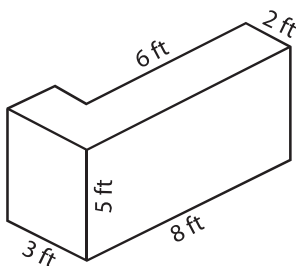
Volume = 190 m³

6)



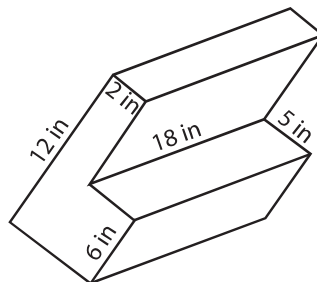
Volume = 132 cm³

7)



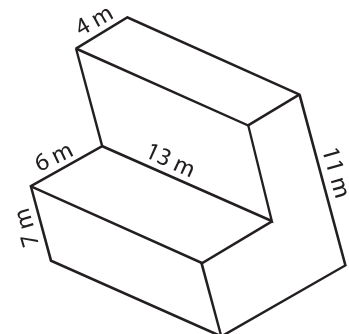
Volume = 90 ft³

8)



Volume = 972 in³

9)



Volume = 1118 m³