

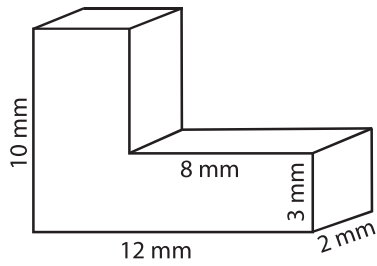
Name : \_\_\_\_\_

Score : \_\_\_\_\_

### Volume of L-Blocks

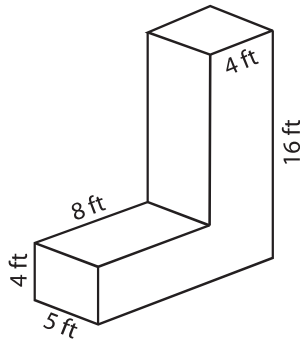
Find the volume of each L-block.

1)



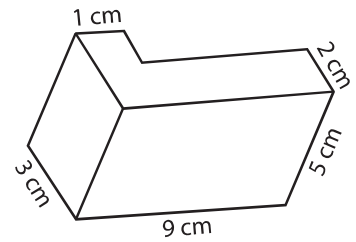
Volume = \_\_\_\_\_

2)



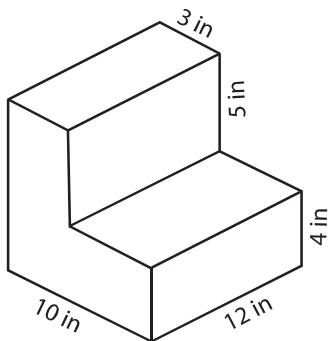
Volume = \_\_\_\_\_

3)



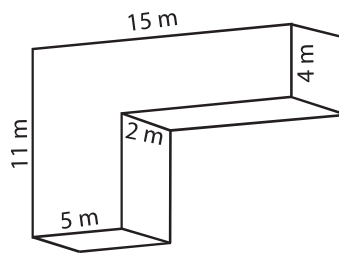
Volume = \_\_\_\_\_

4)



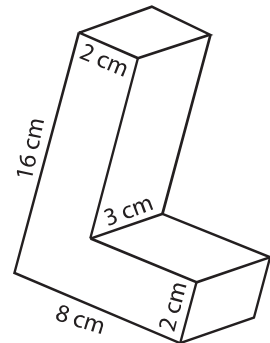
Volume = \_\_\_\_\_

5)



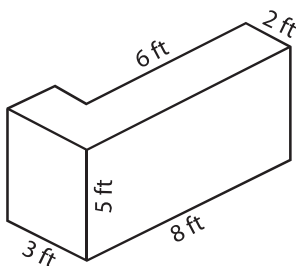
Volume = \_\_\_\_\_

6)



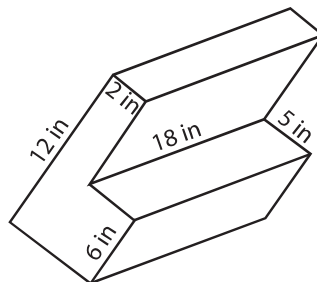
Volume = \_\_\_\_\_

7)



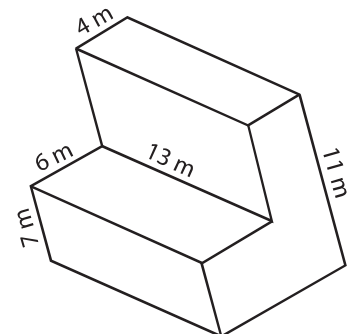
Volume = \_\_\_\_\_

8)



Volume = \_\_\_\_\_

9)



Volume = \_\_\_\_\_